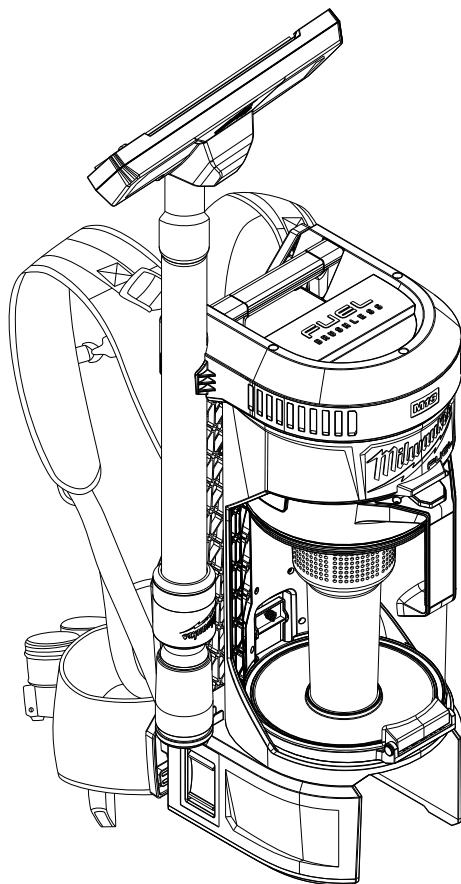




OPERATOR'S MANUAL
MANUEL de L'UTILISATEUR
MANUAL del OPERADOR



Cat. No. / No de cat.
0885-20

M18™ FUEL™ 3-in-1 BACKPACK VACUUM
ASPIRATEUR DORSAL 3-en-1 M18™ FUEL™
ASPIRADORA DE MOCHILA 3-en-1 M18™ FUEL™



WARNING To reduce the risk of injury, user must read and understand operator's manual.

AVERTISSEMENT Afin de réduire le risque de blessures, l'utilisateur doit lire et bien comprendre le manuel.

ADVERTENCIA Para reducir el riesgo de lesiones, el usuario debe leer y entender el manual.

IMPORTANT SAFETY INSTRUCTIONS

⚠ WARNING WHEN USING AN ELECTRICAL VACUUM, TO REDUCE THE RISK OF FIRE OR INJURY, BASIC PRECAUTIONS SHOULD ALWAYS BE FOLLOWED, INCLUDING THE FOLLOWING: READ ALL INSTRUCTIONS BEFORE USING VACUUM. FOR HOUSEHOLD OR COMMERCIAL USE. BEFORE USING THE VACUUM, READ THIS OPERATOR'S MANUAL, BATTERY PACK AND CHARGER OPERATOR'S MANUALS, AND ALL LABELS ON THE VACUUM, BATTERY PACK, AND CHARGER.

WORK AREA SAFETY

- Keep work area clean and well lit. Cluttered or dark areas invite accidents.
- Do not use in the presence of explosive dust, liquids or vapors.
- Do not use where oxygen or anesthetics are used.
- Do not allow to be used as a toy. Close attention is necessary when used by or near children.
- Use extra care when using on stairs.

ELECTRICAL SAFETY

- Do not pick up wet material. Do not use water to settle dust.
- Do not handle battery pack or vacuum with wet hands.
- Store indoors. Do not expose to rain.

PERSONAL SAFETY

- STAY ALERT. Watch what you are doing and use common sense. Do not use vacuum when you are tired, distracted or under the influence of drugs, alcohol or medication causing diminished control.
- The operation of a vacuum can result in foreign objects being blown into eyes, which can result in eye damage. Always wear safety goggles or glasses with side shields when operating vacuum.
- Wear a dust mask or use an OSHA compliant dust extraction solution when working in dusty situations. Dust particles can harm your lungs.
- Avoid accidental starting. Ensure the switch is in the off-position before inserting battery pack. Inserting battery pack in vacuum that has the switch on invites accidents.
- Do not overreach. Keep proper footing and balance at all times. This enables better control of the vacuum in unexpected situations.
- Never stand on vacuum or use as a step stool.
- Keep hair, loose clothing, fingers, and all parts of body away from openings and moving parts.
- Use only as described in this manual. Use only manufacturer's recommended attachments.

USE AND CARE

- Do not use without tank and/or filter properly installed.
- Do not use to pick up flammable or combustible liquids such as gasoline or use in areas where they may be present.
- Do not pick up anything that is burning or smoking such as cigarettes, matches, or hot ashes.
- Do not pick up soot, cement, plaster or drywall dust without filter in place. These are very fine particles that may affect the performance of the motor or be exhausted back into the air.
- To reduce risk, do not use to vacuum hazardous, toxic or carcinogenic materials, such as asbestos or pesticide.

- Use special care when emptying heavily loaded tanks.
- To avoid spontaneous combustion, empty tank after each use.
- Do not leave vacuum unattended when battery pack is installed. Remove battery pack when not in use and before servicing.
- Do not put any object into openings. Do not use with any opening blocked; keep free of dust, lint, hair, and anything else that may reduce air flow.
- Static shocks are possible in dry areas or when the relative humidity of the air is low. This is only temporary and does not affect the use of the vacuum. To reduce the frequency of static shocks, add moisture to the air with a console or installed humidifier.
- Some wood contains preservatives and can be toxic. Take extra care to prevent inhalation and skin contact when working with these materials. Request and follow any safety information available from your material supplier.
- Maintain vacuum. Check for misalignment or binding of moving parts, breakage of parts and any other condition that may affect the vacuum's operation. If damaged, have the vacuum repaired before use. Many accidents are caused by poorly maintained tools.
- Always use common sense and be cautious when using tools. It is not possible to anticipate every situation that could result in a dangerous outcome. Do not use this tool if you do not understand these operating instructions or you feel the work is beyond your capability; contact Milwaukee Tool or a trained professional for additional information or training.
- Maintain labels and nameplates. These carry important information. If unreadable or missing, contact a MILWAUKEE service facility for a free replacement.
- This product is suitable for collection of silica dust when used in accordance with these instructions. To reduce the risk of health hazards from other vapors or dust, do not vacuum carcinogenic, toxic or hazardous materials such as asbestos, arsenic, barium, beryllium, lead, pesticides or other health endangered materials.

⚠ WARNING Some dust created by power sanding, sawing, grinding, drilling, and other construction activities contains chemicals known to cause cancer, birth defects or other reproductive harm. Some examples of these chemicals are:

- lead from lead-based paint
- crystalline silica from bricks and cement and other masonry products, and
- arsenic and chromium from chemically-treated lumber.

Your risk from these exposures varies, depending on how often you do this type of work. To reduce your exposure to these chemicals: work in a well ventilated area, and work with approved safety equipment, such as those dust masks that are specially designed to filter out microscopic particles.

- The unit is compliant as an objective data solution of OSHA Standard 29CFR 1926.1153, assuming it is used in accordance with MILWAUKEE instructions. Please reference <https://www.osha.gov> for further details on compliance methods. Visit <https://www.milwaukeetool.com> for an objective data sheet.

BATTERY PACK USE AND CARE

- Use vacuum only with specifically designated battery packs. Use of any other battery packs may create a risk of injury and fire.
- Turn off all controls before removing battery pack.
- Before using the battery pack or charger read the operator's manuals, and any labels on the battery pack, charger and vacuum.
- Recharge only with the charger specified by the manufacturer. A charger that is suitable for one type of battery pack may create a risk of fire when used with another battery pack.
- When battery pack is not in use, keep it away from other metal objects like paper clips, coins, keys, nails, screws, or other small metal objects that can make a connection from one terminal to another. Shorting the battery terminals together may cause burns or a fire.
- Do not use damaged battery pack or vacuum. If battery pack or vacuum are not working as they should, have been dropped, damaged, left outdoors, or dropped into water, return them to a service center.

SERVICE






- Have your power tool serviced by a qualified repair person using only identical replacement parts. This will ensure that the safety of the power tool is maintained.
- Never service damaged battery packs. Service of battery packs should only be performed by the manufacturer or authorized service providers.

SPECIFIC SAFETY RULES

- Before using the vacuum, read this operator's manual, your battery pack and charger operator's manuals, and all labels on the vacuum, battery pack, and charger.
- Never use vacuum without tank and filter properly installed. Vacuum will throw dust and debris into the air.
- Never use water to clean filter. Tap clean or blow dirt off with compressed air. Water will cause filter to fail.
- Wear ear protectors. Exposure to noise can cause hearing loss.

**READ AND SAVE
ALL
INSTRUCTIONS
FOR FUTURE USE**

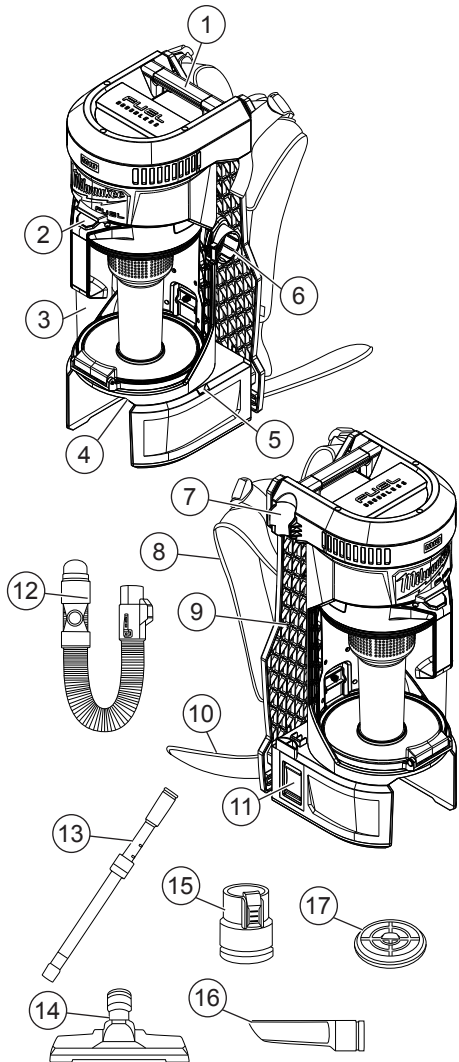
SYMBOLLOGY

-  Volts
-  Direct Current
-  Read operator's manual
-  Wear eye protection
-  UL Listing for Canada and U.S.

SPECIFICATIONS

Cat. No.	0885-20
Volts.....	18 DC
Battery Type.....	M18™
Charger Type.....	M18™
Air Volume.....	55 CFM
Sealed Suction.....	76inH ₂ O
Air Performance.....	159 air watts
Capacity.....	1 Gal. (3.8 L)
Recommended Ambient Operating Temperature.....	0°F to 125°F
Telescoping Extension Wand.....	14-37-0005
Flexible Hose.....	31-01-0305
Crevice Tool.....	31-01-0310
Floor Tool.....	31-01-0315
Dust Extraction Adapter.....	31-01-0320
HEPA Filter.....	49-90-1963
9 Foot Accessory Hose.....	49-90-1964

FUNCTIONAL DESCRIPTION



- 1. Carrying handle
- 2. Tank handle button
- 3. Tank
- 4. Battery bay
- 5. Hose clip
- 6. Vacuum inlet
- 7. Extension wand holder
- 8. Top backpack straps
- 9. Backpack plate
- 10. Lower backpack strap
- 11. Switch
- 12. Flexible hose
- 13. Telescoping extension wand
- 14. Floor tool
- 15. Dust extraction adapter
- 16. Crevice tool
- 17. HEPA filter

ASSEMBLY

⚠ WARNING To reduce the risk of injury, always remove the battery pack before removing the tank.

⚠ CAUTION Keep filter clean. Efficiency of the vacuum is largely dependent on the filter. A dirty filter will reduce the air flow and overall efficiency of the system. Do not clean with water. Remove from tank and tap clean or blow off with compressed air.

Removing/Inserting the Battery

To remove the battery, push in the release buttons and pull the battery pack away from the tool.

⚠ WARNING Always remove battery pack before changing or removing accessories.

To insert the battery, slide the pack into the body of the tool. Make sure it latches securely into place.

Removing/Installing the Filter

To remove the filter:

1. Remove the battery pack.
2. Press the tank handle button and remove the tank from the vacuum.
3. Pull out tank cap to expose the filter. Pull the filter out of the tank.
4. Lift the tank release button and empty all the dust and debris from the tank.
5. To clean the filter, tap clean or blow dirt off with compressed air. Replace the filter if damaged or suction decreases (single pack, Cat. No. 49-90-1963).

NOTE: Never use water to clean filter.

To install the filter:

1. Place the filter into the top of the tank.
2. Line up the tank cap guides and secure it to the tank. Place the tank back into the vacuum.

⚠ WARNING Only use accessories specifically recommended for this tool. Others may be hazardous.

Removing/Installing the Accessories

To install the hose, push the accessory onto the vacuum inlet. To install the nozzles and extensions, push the accessory onto the hose end.

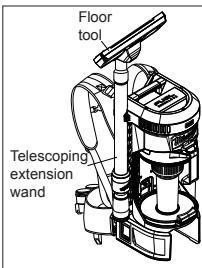
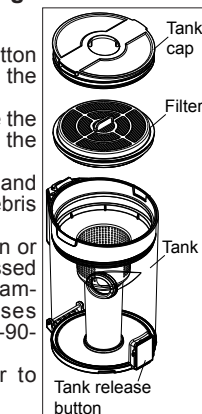
To remove, press the accessory clip and pull out.

Storing the Accessories

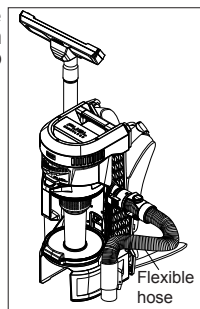
Each of the accessories can be stored on the vacuum.

• **Telescoping extension wand:** Clip the accessory onto the extension wand holder.

• **Floor tool:** Insert the accessory onto the top of the telescoping extension wand.

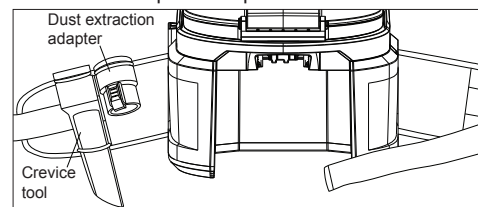


• **Flexible hose:** Insert the accessory onto the vacuum inlet. Clip onto the hose clip to secure.



• **Crevice tool:** Hook the accessory onto the crevice tool rungs located on the lower backpack strap. Push the nose of the accessory through the lower rung and strap the top to the upper rung.

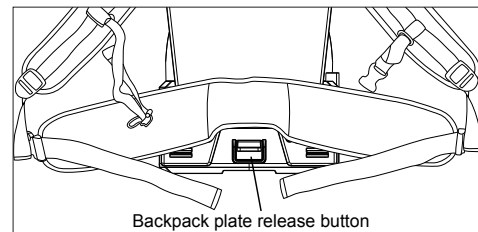
• **Dust extraction adapter:** Hook the accessory onto the dust extraction adapter rung located on the lower backpack strap.



Removing/Installing the Backpack Plate

The backpack plate can be removed when mounting the vacuum on a surface or carrying by hand.

To remove the plate, hold down the backpack plate release button. Pull the bottom end of the plate away from the vacuum to remove the lower tabs. Pull down on the plate and away from the vacuum to remove the upper tabs.

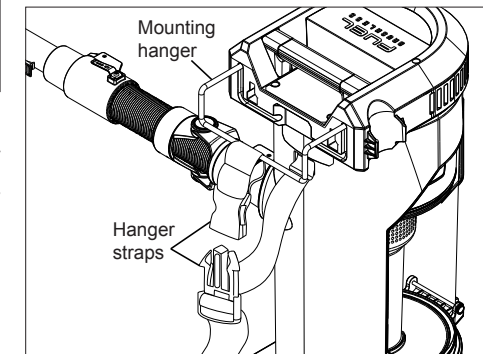


To install the plate, line up and insert the upper plate tabs into the vacuum. Lift the plate up to align and insert the lower plate tabs into the vacuum. Push the tabs in to lock.

Mounting the Vacuum

The vacuum can be hung and mounted to a surface for ease of use.

To mount the vacuum, remove the backpack plate according to the "Removing/Installing the Backpack Plate" instructions. This will expose the mounting hanger. Pull hanger away from the vacuum, unclip the hanger straps and hook vacuum onto surface. Secure by clipping the hanger straps and tightening to the surface.



To unmount the vacuum, unhook the hanger straps. Pull hanger from the surface and push hanger back into the vacuum. Reinstall the backpack plate according to the "Removing/Installing the Backpack Plate" instructions.

OPERATION

⚠ WARNING To reduce the risk of fire and injury, do not use to pick up flammable or combustible materials. To reduce the risk of injury, wear safety goggles or glasses with side shields. Empty tank before use.

Before use, ensure the filter is installed.
⚠ CAUTION Do not carry vacuum by the tank handle.

Starting, Stopping, and Controlling Speed

Press the Power **1** switch up to **2** to run the vacuum on High power. Press the Power **1** switch down to **1** to run the vacuum on Low power. To turn the vacuum Off, return the Power **1** switch to its home **0** position.

Using the Vacuum

There are multiple ways to use the vacuum to best suit your job.

- **Wearing the vacuum as a backpack.** Place vacuum on body. Secure the tool by strapping in the top and bottom backpack straps.
- **Mounting the vacuum on a surface.** Remove the backpack plate according to the "Removing/Installing the Backpack Plate" instructions. Then mount the vacuum to the surface according to the "Mounting the Vacuum" instructions.
- **Carrying the vacuum in hand.** If desired, remove the backpack plate according to the "Removing/Installing the Backpack Plate" instructions.

Operation

1. Remove ALL dirt and debris found in the tank.
2. Insert battery pack and attach accessories.
3. Press the Power **ⓘ** switch to the desired speed. Begin pick-up.
4. Turn off the vacuum immediately upon completing a job or when tank is full and ready to be emptied. **NOTE:** If suction shuts off, turn off the vacuum immediately and empty the tank.
5. Remove battery pack.
6. Clean the interior of the tank and accessories periodically.

Storage

Before storing your vacuum, empty and clean the tank, filter, and accessories. Remove the battery pack.

MAINTENANCE

⚠️WARNING To reduce the risk of injury, always unplug the charger and remove the battery pack from the charger or tool before performing any maintenance. Never disassemble the tool, battery pack or charger. Contact a MILWAUKEE service facility for ALL repairs.

Maintaining Tool

Keep your tool, battery pack and charger in good repair by adopting a regular maintenance program. Inspect your tool for issues such as undue noise, misalignment or binding of moving parts, breakage of parts, or any other condition that may affect the tool operation. Return the tool, battery pack, and charger to a MILWAUKEE service facility for repair. After six months to one year, depending on use, return the tool, battery pack and charger to a MILWAUKEE service facility for inspection.

If the tool does not start or operate at full power with a fully charged battery pack, clean the contacts on the battery pack. If the tool still does not work properly, return the tool, charger and battery pack, to a MILWAUKEE service facility for repairs.

⚠️WARNING To reduce the risk of personal injury and damage, never immerse your tool, battery pack or charger in liquid or allow a liquid to flow inside them.

Cleaning

Clean dust and debris from vents. Keep handles clean, dry and free of oil or grease. Use only mild soap and a damp cloth to clean, since certain cleaning agents and solvents are harmful to plastics and other insulated parts. Some of these include gasoline, turpentine, lacquer thinner, paint thinner, chlorinated cleaning solvents, ammonia and household detergents containing ammonia. Never use flammable or combustible solvents around tools.

Repairs

For repairs, return the tool, battery pack and charger to the nearest service center.

ACCESSORIES

⚠️WARNING Use only recommended accessories. Others may be hazardous.

For a complete listing of accessories, go online to www.milwaukeeetool.com or contact a distributor.

SERVICE - UNITED STATES

1-800-SAWDUST (1.800.729.3878)
Monday-Friday, 7:00 AM - 6:30 PM CST
or visit www.milwaukeeetool.com

Contact Corporate After Sales Service Technical Support with technical, service/repair, or warranty questions.

Email: metproductsupport@milwaukeeetool.com

Become a Heavy Duty Club Member at www.milwaukeeetool.com to receive important notifications regarding your tool purchases.

SERVICE - CANADA

Milwaukee Tool (Canada) Ltd
1.800.268.4015
Monday-Friday, 7:00 AM - 4:30 PM CST
or visit www.milwaukeeetool.ca

LIMITED WARRANTY USA & CANADA

Every MILWAUKEE power tool* (see exceptions below) is warranted to the original purchaser only to be free from defects in material and workmanship. Subject to certain exceptions, MILWAUKEE will repair or replace any part on an electric power tool which, after examination, is determined by MILWAUKEE to be defective in material or workmanship for a period of five (5) years** after the date of purchase unless otherwise noted. Return of the power tool to a MILWAUKEE factory Service Center location or MILWAUKEE Authorized Service Station, freight prepaid and insured, is required. A copy of the proof of purchase should be included with the return product. This warranty does not apply to damage that MILWAUKEE determines to be from repairs made or attempted by anyone other than MILWAUKEE authorized personnel, misuse, alterations, abuse, normal wear and tear, lack of maintenance, or accidents.

Normal Wear: Many power tools need periodic parts replacement and service to achieve best performance. This warranty does not cover repair when normal use has exhausted the life of a part including, but not limited to, chucks, brushes, cords, saw shoes, blade clamps, o-rings, seals, bumpers, driver blades, pistons, strikers, lifters, and bumper cover washers.

*This warranty does not cover Air Nailers & Staplers; Airless Paint Sprayer; Cordless Battery Packs; Gasoline Driven Portable Power Generators; Hand Tools; Hoist - Electric, Lever & Hand Chain; M12™ Heated Gear; Reconditioned Product; and Test & Measurement Products. There are separate and distinct warranties available for these products.

**The warranty period for Job Site Radios, M12™ Power Port, M18™ Power Source, Jobsite Fan and Trade Titan™ Industrial Work Carts is one (1) year from the date of purchase. The warranty period for the Drain Cleaning Cables is two (2) years from the date of purchase. The warranty period for the M18™ Compact Heat Gun and the 8 Gallon Dust Extractor is three (3) years from the date of purchase. The warranty period for the LED in the LED Work Light and the LED Upgrade Bulb for the Work Light is the lifetime of the product subject to the limitations above. If during normal use the LED or LED Bulb fails, the part will be replaced free of charge.

Warranty Registration is not necessary to obtain the applicable warranty on a MILWAUKEE power tool product. The manufacturing date of the product will be used to determine the warranty period if no proof of purchase is provided at the time warranty service is requested.

ACCEPTANCE OF THE EXCLUSIVE REPAIR AND REPLACEMENT REMEDIES DESCRIBED HEREIN IS A CONDITION OF THE CONTRACT FOR THE PURCHASE OF EVERY MILWAUKEE PRODUCT. IF YOU DO NOT AGREE TO THIS CONDITION, YOU SHOULD NOT PURCHASE THE PRODUCT. IN NO EVENT SHALL MILWAUKEE BE LIABLE FOR ANY INCIDENTAL, SPECIAL, CONSEQUENTIAL OR PUNITIVE DAMAGES, OR FOR ANY COSTS, ATTORNEY FEES, EXPENSES, LOSSES OR DELAYS ALLEGED TO BE AS A CONSEQUENCE OF ANY DAMAGE TO, FAILURE OF, OR DEFECT IN ANY PRODUCT INCLUDING, BUT NOT LIMITED TO, ANY CLAIMS FOR

LOSS OF PROFITS. SOME STATES DO NOT ALLOW THE EXCLUSION OR LIMITATION OF INCIDENTAL OR CONSEQUENTIAL DAMAGES, SO THE ABOVE LIMITATION OR EXCLUSION MAY NOT APPLY TO YOU. THIS WARRANTY IS EXCLUSIVE AND IN LIEU OF ALL OTHER EXPRESS WARRANTIES, WRITTEN OR ORAL. TO THE EXTENT PERMITTED BY LAW, MILWAUKEE DISCLAIMS ANY IMPLIED WARRANTIES, INCLUDING WITHOUT LIMITATION ANY IMPLIED WARRANTY OF MERCHANTABILITY OR FITNESS FOR A PARTICULAR USE OR PURPOSE, TO THE EXTENT SUCH DISCLAIMER IS NOT PERMITTED BY LAW, SUCH IMPLIED WARRANTIES ARE LIMITED TO THE DURATION OF THE APPLICABLE EXPRESS WARRANTY AS DESCRIBED ABOVE. SOME STATES DO NOT ALLOW LIMITATIONS ON HOW LONG AN IMPLIED WARRANTY LASTS. SO THE ABOVE LIMITATION MAY NOT APPLY TO YOU. THIS WARRANTY GIVES YOU SPECIFIC LEGAL RIGHTS, AND YOU MAY ALSO HAVE OTHER RIGHTS WHICH VARY FROM STATE TO STATE.

This warranty applies to product sold in the U.S.A. and Canada only. Please consult the 'Service Center Search' in the Parts & Service section of MILWAUKEE's website www.milwaukeeetool.com or call 1.800.SAWDUST (1.800.729.3878) to locate your nearest service facility for warranty and non-warranty service on a Milwaukee electric power tool.

LIMITED WARRANTY - MEXICO, CENTRAL AMERICA & CARIBBEAN

TECHTRONIC INDUSTRIES' warranty is for 5 years since the original purchase date.

This warranty card covers any defect in material and workmanship on this Product.

To make this warranty valid, present this warranty card, sealed/stamped by the distributor or store where you purchased the product, to the Authorized Service Center (ASC). Or, if this card has not been sealed/stamped, present the original proof of purchase to the ASC. Call toll-free 1 01 (800) 030-7777 to find the nearest ASC, for service, parts, accessories or components.

Procedure to make this warranty valid

Take the product to the ASC, along with the warranty card sealed/stamped by the distributor or store where you purchased the product, and any faulty piece or component will be replaced without cost for you. We will cover all freight costs relative with this warranty process.

Exceptions

This warranty is not valid in the following situations

- a) When the product is used in a different manner from the end-user guide or instruction manual.
- b) When the conditions of use are not normal.
- c) When the product was modified or repaired by people not authorized by TECHTRONIC INDUSTRIES.

Note: If cord set is damaged, it should be replaced by an Authorized Service Center to avoid electric risks.

SERVICE AND ATTENTION CENTER
Call to 01 (800) 030-7777

IMPORTED AND COMMERCIALIZED BY
TECHTRONIC INDUSTRIES MEXICO, SA DE CV
Av President Masarik #29 piso 7, Col. Polanco V Sección
CP 11560, Deleg. Miguel Hidalgo, CDMX

Model: _____

Date of Purchase: _____

Distributor or Store Stamp: _____

RÈGLES GÉNÉRALES DE SÉCURITÉ

⚠️AVERTISSEMENT LORS DE L'UTILISATION D'UN ASPIRATEUR ÉLECTRIQUE ET AFIN DE MINIMISER LE RISQUE D'INCENDIE OU BLESSURES, IL FAUT TOUJOURS PRENDRE DES PRECAUTIONS ELEMENTAIRES, Y COMPRIS CELLES PRESENTES CI-DESSOUS : LIRE TOUTES LES INSTRUCTIONS AVANT D'UTILISER L'ASPIRATEUR. POUR DES APPLICATIONS COMMERCIALES OU RESIDENTIELLES. AVANT D'UTILISER L'ASPIRATEUR, LIRE LE PRÉSENT MANUEL D'UTILISATION, LE MANUEL D'UTILISATION DU BLOC-PILES ET DU CHARGEUR, AINSI QUE TOUTES LES ÉTIQUETTES SE TROUVANT SUR L'ASPIRATEUR, LE BLOC-PILES, ET LE CHARGEUR.

SÉCURITÉ DU LIEU DE TRAVAIL

- Veillez à ce que l'aire de travail soit propre et bien éclairée. Le désordre et le manque de lumière favorisent les accidents.
- Ne pas utiliser en présence de liquides explosifs ou de poussière ou vapeurs explosives.
- Ne pas utiliser où l'oxygène ou les agents anesthésiques sont utilisés.
- Cet appareil n'est pas un jouet. Une surveillance étroite est impérative lorsqu'il est utilisé par des enfants ou à leur proximité.
- Redoubler de prudence lors de l'utilisation dans des escaliers.

SÉCURITÉ ÉLECTRIQUE

- Ne pas aspirer de matériaux humides. Ne pas utiliser d'eau pour déposer la poussière.
- Ne pas manipuler le bloc-pile ou l'aspirateur avec les mains mouillées.
- Entreposer à l'intérieur. Ne pas exposer à la pluie.

SÉCURITÉ INDIVIDUELLE

- **RESTER VIGILANT.** Se montrer attentif et faire preuve de bon sens. Ne pas utiliser l'aspirateur en cas de fatigue, distraction ou sous l'influence de l'alcool, de drogues ou de médicaments causant la perte de contrôle.
- L'utilisation d'un aspirateur peut causer la projection d'objets en direction du visage et entraîner des lésions oculaires. Toujours porter des lunettes de sécurité ou des lunettes avec écrans latéraux lors de l'utilisation de l'aspirateur.
- Porter un masque anti-poussière ou utiliser une solution d'extraction de poussière conforme aux normes de l'OSHA pendant que vous travaillez dans des circonstances poussiéreuses. Les particules de poussière peuvent nuire vos poumons.

- Éviter les démarrages accidentels. S'assurer que l'interrupteur est en position d'arrêt avant d'insérer le bloc-piles. L'insertion du bloc-piles quand l'interrupteur de l'aspirateur est en position de marche augmente le risque d'accidents.
- Ne pas travailler hors de portée. Toujours se tenir bien campé et en équilibre. Une bonne stabilité procure un meilleur contrôle de l'aspirateur en cas d'imprévu.
- Ne jamais monter sur l'aspirateur ou s'en servir comme marchepied.
- Garder les cheveux, les vêtements amples, les doigts ainsi que toutes les parties du corps à l'écart des ouvertures et des pièces en mouvement.
- Utiliser exclusivement selon les instructions de ce manuel. Utiliser exclusivement les accessoires recommandés par le fabricant.

UTILISATION ET ENTRETIEN DE L'OUTIL ÉLECTRIQUE

- Ne pas utiliser l'aspirateur sans avoir le réservoir et/ou le filtre correctement installés.
- Ne pas utiliser l'appareil pour ramasser des liquides inflammables ou combustibles tels que l'essence, ou dans des environnements où il est possible de retrouver ce type de liquide.
- Ne pas aspirer d'éléments qui brûlent ou qui fument comme des cigarettes, des allumettes ou des cendres chaudes.
- Ne pas aspirer de la suie, du ciment, du plâtre ou de la poussière de cloison sèche sans le filtre en place. Il y a des particules très fines qui peuvent affecter le rendement du moteur ou s'échapper dans l'air.
- Afin de minimiser les risques, ne pas l'utiliser pour aspirer de matériaux dangereux, toxiques ou carcinogéniques tels que l'amiante ou les pesticides.
- Faire preuve d'une extrême prudence en vidant les réservoirs fortement chargés.
- Pour prévenir la combustion spontanée, vider le réservoir de poussière après chaque utilisation.
- Ne pas laisser l'aspirateur sans surveillance lorsque le bloc-pile est installé. Retirer le bloc-pile lorsque celui-ci n'est pas utilisé et avant de procéder à son entretien.
- Ne placer aucun objet dans les ouvertures. Ne pas utiliser le produit si l'une ou l'autre des ouvertures est obstruée. Enlever toute la poussière, toutes les peluches et tous les cheveux, ou tout autre élément pouvant réduire la circulation de l'air.
- C'est possible que les décharges statiques se passent dans des endroits humides ou bien, quand l'humidité relative de l'air est basse. Ceci est temporel et n'affectera pas la performance de l'aspirateur. Afin de minimiser la fréquence des décharges statiques, ajouter de l'humidité à l'air à l'aide d'une console ou un humidificateur installé.
- Certains types de bois contiennent des conservateurs et pourront donc être toxiques. Redoubler la prudence afin d'éviter leur inhalation et leur contact avec votre peau lorsque des travaux sont faits avec ces matériaux. Demander au fabricant du matériel toutes les informations de sécurité disponibles et veuillez les suivre.
- Entretien de l'aspirateur. Vérifier qu'aucune pièce mobile n'est mal alignée ou bloquée, qu'aucune pièce n'est brisée et s'assurer qu'aucun autre problème ne risque d'affecter le bon fonctionnement de l'aspirateur. En cas de dommages, faire réparer l'aspirateur avant

- l'utilisation. Beaucoup d'accidents sont causés par des outils mal entretenus.
- Toujours faire preuve de bons sens et procéder avec prudence lors de l'utilisation d'outils. C'est impossible de prévoir toutes les situations dont le résultat est dangereux. Ne pas utiliser cet outil si vous ne comprenez pas ces instructions d'opération ou si vous pensez que le travail dépasse votre capacité ; veuillez contacter Milwaukee Tool ou un professionnel formé pour recevoir plus d'information ou formation.
- Maintenir en état les étiquettes et les plaques signalétiques. Des informations importantes y figurent. Si elles sont illisibles ou manquantes, contacter un centre de service et d'entretien MILWAUKEE pour un remplacement gratuit.
- Ce produit convient à la collecte de la poussière de silice lorsqu'il est utilisé conformément à ces instructions. Afin de réduire les risques pour la santé issus de autres vapeurs ou de poussières, ne pas aspirer de matières toxiques, cancérigènes ou autres matières dangereuses comme l'amiante, l'arsenic, le baryum, le béryllium, le plomb, les pesticides ou autres matières pouvant mettre en danger la santé.

AVERTISSEMENT

La poussière dégagée par certains matériaux lors des opérations de construction contient des produits chimiques reconnus pour causer le cancer, des malformations congénitales ou des lésions de l'appareil reproducteur. Voici certains exemples de ces produits chimiques :

- le plomb contenu dans la peinture au plomb,
 - la silice cristalline contenue dans les briques, le ciment et d'autres produits de maçonnerie, et
 - l'arsenic et le chrome contenus dans le bois de construction traité par produits chimiques.
- Le risque présenté par l'exposition à ces produits varie en fonction de la fréquence de ce type de travail. Pour réduire l'exposition à ces produits chimiques : travailler dans un endroit bien aéré et utiliser des équipements de sécurité approuvés tels que les masques anti-poussière spécialement conçus pour filtrer les particules microscopiques.
- L'unité est conforme, comme une solution de résultats objectifs, à la norme OSHA 29CRF 1926.1153 lorsqu'elle est utilisée sans un aspirateur de poussière, en supposant qu'elle est utilisée selon les instructions de MILWAUKEE. Veuillez consulter le site d'Internet <https://www.osha.gov> pour en savoir plus à propos des méthodes de conformité. Veuillez consulter <https://www.milwaukeetool.com> pour consulter les fiches techniques complètes.

UTILISATION ET ENTRETIEN DE LA BATTERIE

- N'utiliser l'aspirateur qu'avec des bloc-piles recommandés. L'utilisation de tout autre bloc-piles peut créer un risque de blessures et d'incendie.
- Arrêter toutes les commandes avant de retirer le bloc-piles.
- Pour réduire le risque de choc électrique, ne pas utiliser sur une surface mouillée. Ne pas exposer l'appareil à la pluie. Entreposer à l'intérieur.
- Avant d'utiliser le bloc-pile ou le chargeur, lire les manuels d'utilisation et toutes les étiquettes sur le bloc-piles, le chargeur et l'aspirateur.

- Pour recharger le bloc-piles, utiliser seulement le chargeur spécifié par le fabricant. Un chargeur pouvant convenir à un type de bloc-piles peut entraîner un risque d'incendie lorsqu'il est utilisé avec un autre type de bloc-piles.
- Lorsque le bloc-piles n'est pas utilisé, le tenir éloigné des objets en métal tels que les trombones, les pièces de monnaie, les clés, les clous, les vis ou d'autres petits objets métalliques qui pourraient connecter les bornes. Le court-circuitage des bornes d'une batterie peut entraîner des brûlures ou un incendie.
- Ne pas utiliser un bloc-pile ou un aspirateur endommagé. Si le bloc-piles ou l'aspirateur ne fonctionnent pas correctement, s'ils ont été tombés par terre, s'ils sont endommagés, s'ils ont été laissés à l'extérieur ou s'ils sont tombés dans l'eau, retournez-les au centre de service.

ENTRETIEN

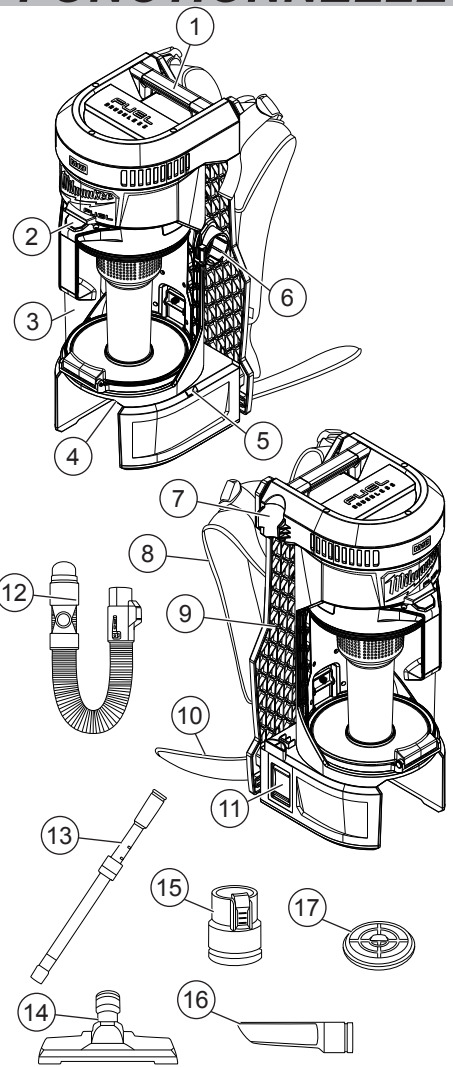
- Les réparations de l'outil électrique doivent être confiées à un technicien qualifié, utilisant exclusivement des pièces identiques à celles d'origine. Le maintien de la sûreté de l'outil électrique sera ainsi assuré.
- Ne jamais effectuer la réparation d'un bloc-piles endommagé. La réparation du bloc-piles doit être réalisée par le fabricant ou les fournisseurs de service agréés uniquement.

REGLAS ESPECIFICAS DE SEGURIDAD

- Avant d'utiliser l'aspirateur, lire le présent manuel d'utilisation, le manuel d'utilisation du bloc-piles et du chargeur, ainsi que toutes les étiquettes se trouvant sur l'aspirateur, le bloc-piles et le chargeur.
- Ne jamais utiliser l'aspirateur sans avoir le réservoir et le filtre correctement installés. L'aspirateur éjectera de la poussière et du débris dans l'air.
- Ne jamais utiliser de l'eau pour nettoyer le filtre. Nettoyer en frappant ou en soufflant la saleté avec de l'air comprimé. L'eau provoquera des échecs dans le filtre.
- Porter des protecteurs d'oreille. L'exposition au bruit peut entraîner une perte auditive.

LIRE TOUTES LES INSTRUCTIONS ET LES CONSERVER À DES FINS DE RÉFÉRENCE ULTÉRIEURE

DESCRIPTION FONCTIONNELLE








- | | |
|-------------------------------------|--------------------------------------|
| 1. Poignée de transport | 10. Sangle inférieure du sac à dos |
| 2. Bouton d'activation du réservoir | 11. Interrupteur |
| 3. Réservoir | 12. Tuyau flexible |
| 4. Compartiment des piles | 13. Rallonge télescopique pour lance |
| 5. Clip de tuyau | 14. Outil pour plancher |
| 6. Entrée de l'aspirateur | 15. Adaptateur de dépoussiérage |
| 7. Support prolongateur de la lance | 16. Suceur plat |
| 8. Sangles supérieures du sac à dos | 17. Filtre HEPA |
| 9. Plaque de sac à dos | |

SPÉCIFICATIONS

No de Cat.....	0885-20
Volts	18 CD
Type de batterie	M18™
Type de chargeur	M18™
Volume d'air.....	55 pi³/min (55 CFM)
Aspiration jointive	193,0 cm (76")
Débit d'air	159 watts
Capacité	3,8 L (1 Gal.)
Température ambiante de fonctionnement recommandée	-18°C à 50°C (0°F à 125°F)
Rallonge télescopique pour lance	14-37-0005
Tuyau flexible	31-01-0305
Suceur plat	31-01-0310
Outil pour plancher	31-01-0315
Adaptateur de dépoussiérage	31-01-0320
Filtre HEPA	49-90-1963
Tuyau accessoire de 2,7 m (9')	49-90-1964

PICTOGRAPHIE

-  Volts
-  Courant direct
-  Lire le manuel d'utilisation
-  Toujours porter une protection oculaire
-  UL Listing Mark pour Canada et États-unis

MONTAGE DE L'OUTIL

⚠️ AVERTISSEMENT

Afin de réduire les risques de blessures, toujours retirer le bloc-piles avant de retirer le réservoir.

⚠️ MISE EN GARDE

Garder le filtre propre. L'efficacité de l'aspirateur dépend en grande partie du filtre. Un filtre sale réduit la circulation de l'air ainsi que l'efficacité globale du système. Ne pas utiliser de l'eau. Le retirer du réservoir et le nettoyer en frappant ou en soufflant avec de l'air comprimé.

Insertion et retrait de la pile

Pour retirer la pile, appuyer sur les boutons de relâchement et extraire le bloc-piles de l'outil.

⚠️ AVERTISSEMENT

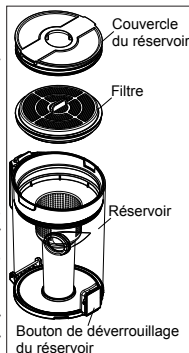
Retirer toujours le bloc-piles avant de changer ou de retirer les accessoires.

Pour insérer la pile, la glisser dans le corps de l'outil. S'assurer qu'il y est bien inséré en place.

Retrait/Installation du filtre

Pour enlever le filtre :

1. Retirer le bloc-piles.
2. Appuyer sur le bouton d'activation du réservoir et enlever le réservoir de l'aspirateur.
3. Faire sortir le couvercle du réservoir pour exposer le tuyau. Retirer le filtre du réservoir.
4. Relever le bouton de déverrouillage du réservoir et vider toute la poussière et le débris dans le réservoir.
5. Pour nettoyer le filtre, veuillez le taper ou souffler la poussière à l'aide de l'air comprimé. Changer le filtre s'il est endommagé ou si l'aspiration est réduite (seul paquet ; N° de cat.: 49-90-1963).



REMARQUE : Ne jamais utiliser d'eau pour nettoyer le filtre.

Pour installer le filtre :

1. Mettre le filtre dans la partie supérieure du réservoir.
2. Aligner les guides sur le couvercle du réservoir et le fixer sur place. Remettre le réservoir dans l'aspirateur.

⚠️ AVERTISSEMENT

Utiliser seulement des accessoires spécialement recommandés pour cet outil. L'utilisation d'autres types d'accessoires pourrait entraîner des situations dangereuses.

Installation / Retrait des accessoires

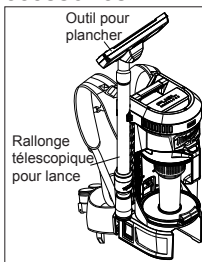
Pour installer le tuyau, appuyer sur l'accessoire pour le faire entrer dans l'entrée de l'aspirateur. Pour installer les buses et les extensions, appuyer sur l'accessoire pour le faire entrer dans le bout de tuyau.

Pour l'enlever, appuyer sur le clip de l'accessoire et le retirer.

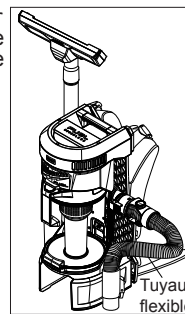
Rangement des accessoires

C'est possible de ranger dans l'aspirateur tous les accessoires.

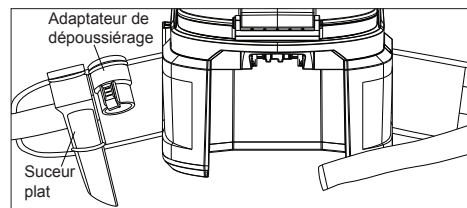
- **Rallonge télescopique pour lance :** Utiliser un clip pour attacher l'accessoire sur le support prolongateur de la lance.
- **Outil pour plancher :** Insérer l'accessoire dans la partie supérieure de la rallonge télescopique pour lance.



- **Tuyau flexible :** Insérer l'accessoire dans l'entrée de l'aspirateur. Utiliser le clip de tuyau pour le fixer.



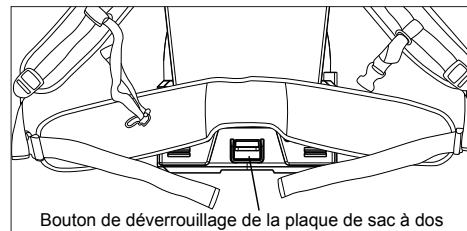
- **Suceur plat :** Attacher l'accessoire sur les barreaux du suceur plat qui se trouvent sur la sangle inférieure du sac à dos. Appuyer sur le nez de l'accessoire pour le faire passer à travers du barreau inférieur et attacher la partie supérieure sur le barreau supérieur.
- **Adaptateur de dépoussiérage :** Attacher l'accessoire sur le barreau de l'adaptateur de dépoussiérage trouvé dans la sangle inférieure du sac à dos.



Enlèvement/installation de la plaque de sac à dos

C'est possible d'enlever la plaque de sac à dos lorsque l'aspirateur est monté sur une surface ou bien, que vous le portez par la main.

Pour enlever la plaque, appuyer le bouton de déverrouillage de la plaque de sac à dos et le tenir enfoncé. Tirer sur le bout inférieur de la plaque et le faire sortir de l'aspirateur afin d'enlever les languettes inférieures. Baisser la plaque et l'enlever de l'aspirateur pour enlever les languettes inférieures.

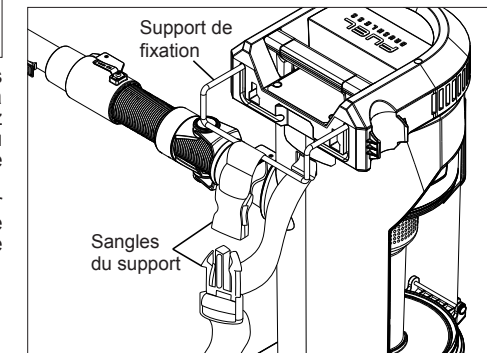


Pour installer la plaque, aligner et insérer les languettes supérieures de la plaque dans l'aspirateur. Relever la plaque pour aligner et insérer les languettes inférieures de la plaque dans l'aspirateur. Appuyer sur les languettes pour les verrouiller.

Support de l'aspirateur

C'est possible d'accrocher l'aspirateur et le monter sur une surface pour faciliter son utilisation.

Pour monter l'aspirateur, enlever la plaque de sac à dos selon les consignes dans la section « Enlèvement/installation de la plaque de sac à dos ». Ceci exposera le support de fixation. Tirer sur le support pour le faire sortir de l'aspirateur, retirer les supports dans les sangles du support et attacher l'aspirateur sur une surface. Veuillez attacher en fixant les sangles du support et les serrant sur la surface.



Pour démonter l'aspirateur, retirer les sangles du support. Tirer sur le support qui se trouve dans la surface et le remettre dans l'aspirateur. Remettre la plaque de sac à dos selon les consignes dans la section « Enlèvement/installation de la plaque de sac à dos ».

MANIEMENT

⚠️ AVERTISSEMENT

Afin de réduire le risque d'incendie et de blessure, ne pas utiliser pour ramasser des matières inflammables.

Pour réduire le risque de blessure, porter des lunettes de sécurité ou des lunettes avec écrans latéraux. Vider le réservoir avant utilisation. Avant de son utilisation, veuillez s'assurer que le filtre soit installé.

⚠️ AVERTISSEMENT

Ne pas amener l'aspirateur par la poignée du réservoir.

Démarrage, arrête et contrôle de vitesse

Glisser le commutateur de démarrage ① vers le haut pour le régler dans la position 2 afin de démarrer l'aspirateur à haute puissance. Glisser le commutateur de démarrage ① vers le bas pour le régler dans la position 1 afin de démarrer l'aspirateur à puissance faible. Pour arrêter l'aspirateur, remettre le commutateur de démarrage ① dans sa position ① initiale.

Utilisation de l'aspirateur

L'aspirateur peut être utilisé des nombreuses façons qui conviennent le mieux au travail que vous ferez.

- **Porter l'aspirateur comme un sac à dos.** Mettre l'aspirateur sur votre corps. Attacher l'outil en utilisant les sangles supérieures et inférieures du sac à dos.

- **Montage de l'aspirateur sur une surface.** Enlever la plaque de sac à dos selon les consignes dans la section « Enlèvement/installation de la plaque de sac à dos ». Après, monter l'aspirateur sur la surface selon les consignes dans la section « Montage de l'aspirateur ».

- **Emporter l'aspirateur à main.** Enlever, au besoin, la plaque de sac à dos selon les consignes dans la section « Enlèvement/installation de la plaque de sac à dos ».

Fonctionnement

1. Retirer TOUTE la poussière et TOUT le débris qui se trouvent dans le réservoir.
2. Insérer le bloc-piles et attacher les accessoires.
3. Régler le commutateur de démarrage ① dans la vitesse souhaitée. Le relever.
4. Arrêter l'aspirateur immédiatement après l'achèvement de votre travail ou bien, quand le réservoir soit plein et prêt pour le vider. **REMARQUE :** Si l'aspiration est interrompue, arrêter l'aspirateur immédiatement et vider le réservoir.
5. Retirer le bloc-piles.
6. Nettoyer l'intérieur du réservoir et les accessoires périodiquement.

Entreposage

Avant d'entreposer l'aspirateur, vider et nettoyer le réservoir, le filtre et les accessoires. Retirer la pile.

ENTRETIEN

⚠️ AVERTISSEMENT

Pour minimiser les risques de blessures corporelles, débranchez le chargeur et retirez la batterie du chargeur ou de l'outil avant d'y effectuer des travaux d'entretien. Ne démontez jamais l'outil, la batterie ou le chargeur. Pour toute réparation, consultez un centre de service MILWAUKEE accrédité.

Entretien de l'outil

Gardez l'outil en bon état en adoptant un programme d'entretien ponctuel. Inspectez votre outil pour des questions telles que le bruit excessif, de grippage des pièces mobiles, de pièces cassées ou toute autre condition qui peut affecter le fonctionnement de l'outil. Retournez votre outil à un centre de service MILWAUKEE accrédité pour obtenir le service. Après une période pouvant aller de 6 mois à un an, selon l'usage, retournez votre outil à un centre de service MILWAUKEE accrédité pour d'inspection.

Si l'outil ne démarre pas ou ne fonctionne pas à pleine puissance alors qu'il est branché sur une batterie complètement chargée, nettoyez les points de contact entre la batterie et l'outil. Si l'outil ne fonctionne toujours pas correctement, renvoyez l'outil, le chargeur et la batterie à un centre de service MILWAUKEE accrédité.

⚠️ AVERTISSEMENT

Pour minimiser les risques de blessures ou de dommages à l'outil, n'immergez jamais l'outil, la batterie ou le chargeur et ne laissez pas de liquide s'y infiltrer.

Nettoyage

Débarrassez les événements des débris et de la poussière. Gardez les poignées propres, à sec et exemptes d'huile ou de graisse. Le nettoyage doit se faire avec un linge humide et un savon doux. Certains nettoyants tels l'essence, la térébenthine, les diluants à laque ou à peinture, les solvants chlorés, l'ammoniaque et les détergents d'usage domestique qui en contiennent pourraient détériorer le plastique et l'isolation des pièces. Ne laissez jamais de solvants inflammables ou combustibles auprès des outils.

Réparations

Pour les réparations, retournez outil, batterie et chargeur en entier au centre-service le plus près.

ACCESOIRES

⚠️ AVERTISSEMENT

L'utilisation d'autres accessoires que ceux qui sont spécifiquement recommandés pour cet outil peut comporter des risques.

Pour une liste complète des accessoires, visiter le site internet www.milwaukeetool.com ou contactez un distributeur.

SERVICE - CANADA

Milwaukee Tool (Canada) Ltd

1.800.268.4015

Monday-Friday, 7:00 AM - 4:30 PM CST

www.milwaukeetool.ca

GARANTIE LIMITÉE - AUX ÉTATS-UNIS ET AU CANADA

Chaque outil électrique* MILWAUKEE (voir exceptions ci-dessous) est garanti à l'acheteur d'origine uniquement pour être exempt de vices de matériaux et de fabrication. Sous réserve de certaines exceptions, MILWAUKEE réparera ou remplacera toute pièce d'un outil électrique qui, après examen par MILWAUKEE, s'est avérée être affectée d'un vice de matériau ou de fabrication et ce pendant une période de cinq (5) ans** à compter de la date d'achat, sauf indication contraire. Retourner l'outil électrique à un centre de réparation en usine MILWAUKEE ou à un poste d'entretien agréé MILWAUKEE, en port prépayé et assuré. Une copie de la preuve d'achat doit être présentée lors du retour du produit. Cette garantie ne couvre pas les dommages que MILWAUKEE détermine être causés par des réparations ou des tentatives de réparation par quiconque autre que le personnel agréé par MILWAUKEE, ou par des utilisations incorrectes, des altérations, des utilisations abusives, une usure normale, une carence d'entretien ou des accidents.

Usure normale : Plusieurs outils électriques requièrent un remplacement et un entretien périodique de leurs pièces pour un meilleur rendement. Cette garantie ne couvre pas la réparation des pièces due à l'utilisation normale de l'outil, y compris, mais sans s'y limiter, les mandrins, les broches, les cordes, les sabots de scie, les portelames, les joints toriques, les joints, les amortisseurs, les lames d'entraînement, les pistons, les perceurs, les crochets et les rondelles à couvercle amortisseur.

*Cette garantie ne s'applique pas aux clouseuses-agrafeuses pneumatiques, aux pulvérisateurs à peinture sans air, aux blocs-piles pour outils sans fil, aux génératrices d'alimentation portatives à essence, aux outils à main, aux monte-charges - électriques, à levier et à chaîne, aux vestes chauffantes M12™, aux produits ré-usinés, ni aux produits d'essai et de mesure. Il existe des garanties séparées distinctes pour ces produits.

**La période de garantie applicable pour les radios de chantier, le port d'alimentation M12™, la source électrique M18™, le ventilateur de chantier et les chariots de travail industriels Trade Titan™ est d'une durée d'un (1) an à compter de la date d'achat. La période de garantie pour les Câbles de nettoyage des canalisations est de deux (2) ans à compter de la date d'achat. La période de garantie pour le

Pistolet thermique compact M18™ et Dépoussiéreur de 8 gallons est de trois (3) ans à compter de la date d'achat. La période de garantie couvrant la DEL de la lampe de travail à DEL et l'ampoule améliorée à DEL de la lampe de travail est une garantie à vie du produit soumise aux limitations ci-dessus. En cas de défaillance de la DEL ou de l'ampoule à DEL pendant son utilisation normale, la pièce défectueuse sera remplacée gratuitement.

L'enregistrement de la garantie n'est pas nécessaire pour bénéficier de la garantie en vigueur sur un outil électrique MILWAUKEE. La date de fabrication du produit servira à établir la période de garantie, si aucune preuve d'achat n'est fournie lorsqu'une demande de service sous garantie est déposée.

L'ACCEPTATION DES RECOURS EXCLUSIFS DE RÉPARATION ET DE REMPLACEMENT DÉCRITS DANS LES PRÉSENTES EST UNE CONDITION DU CONTRAT D'ACHAT DE TOUT PRODUIT MILWAUKEE. SI VOUS N'ACCEPTÉZ PAS CETTE CONDITION, VOUS NE DEVEZ PAS ACHETER LE PRODUIT. EN AUCUN CAS, MILWAUKEE NE SAURAIT ÊTRE RESPONSABLE DE TOUT DOMMAGE ACCESSOIRE, SPÉCIAL OU INDIRECT, DE DOMMAGES-INTÉRÊTS PUNITIFS OU DE TOUTE DÉPENSE, D'HONORAIRES D'AVOCAT, DE FRAIS, DE PERTE OU DE DÉLAIS ACCESSOIRES À TOUT DOMMAGE, DÉFAILLANCE OU DÉFAUT DE TOUT PRODUIT, Y COMPRIS NOTAMMENT LES PERTES DE PROFIT. CERTAINS ÉTATS ET PROVINCES NE PERMETTANT L'EXCLUSION OU LA LIMITATION DES DOMMAGES DIRECTS OU INDIRECTS, LES RESTRICTIONS CI-DESSUS PEUVENT NE PAS VOUS ÊTRE APPLICABLES. CETTE GARANTIE EST EXCLUSIVE ET REMPLACE TOUTE AUTRE GARANTIE EXPRESSE, QU'ELLE SOIT VERBALE OU ÉCRITE. DANS LA MESURE PERMISE PAR LA LOI, MILWAUKEE RENONCE À TOUTE GARANTIE IMPLICITE, Y COMPRIS, MAIS SANS S'Y LIMITER, TOUTE GARANTIE IMPLICITE DE QUALITÉ MARCHANDE OU D'ADAPTATION À UNE UTILISATION OU À UNE FIN PARTICULIÈRE. DANS LA MESURE OU UNE TELLE STIPULATION D'EXONÉRATION N'EST PAS PERMISE PAR LA LOI, LA DURÉE DE CES GARANTIES IMPLICITES EST LIMITÉE À LA PÉRIODE APPLICABLE DE LA GARANTIE EXPRESSE, TEL QUE CELA EST DÉCRIT PRÉCÉDEMMENT. CERTAINS ÉTATS ET PROVINCES NE PERMETTANT PAS DE LIMITATION DE DURÉE DES GARANTIES IMPLICITES, LES RESTRICTIONS CI-DESSUS PEUVENT DONC NE PAS VOUS ÊTRE APPLICABLES. LA PRÉSENTE VOUS CONFÈRE DES DROITS LÉGAUX PARTICULIERS; VOUS BÉNÉFICIEZ ÉGALEMENT D'AUTRES DROITS QUI VARIENT D'UN ÉTAT À UN AUTRE.

Cette garantie s'applique aux produits vendus aux États-Unis et au Canada uniquement.

Veillez consulter la rubrique Centre SAV Milwaukee, dans la section Pièces et Services du site Web de MILWAUKEE, à l'adresse www.milwaukeetool.com, ou composer le 1-800-SAWDUST (1-800-729-3878) afin de trouver le centre de service de votre région le plus proche pour l'entretien, sous garantie ou non, de votre outil électrique Milwaukee.

GARANTIE LIMITÉE - MEXIQUE, AMÉRIQUE CENTRALE ET CARAÏBES

TECHTRONIC INDUSTRIES* garantit le produit pendant 5 ans à partir de la date d'achat d'origine.

Le présent bon de garantie couvre tous les vices de matériau et de fabrication que peut afficher ce produit.

Pour assurer la validité de la présente garantie, veuillez présenter ce bon de garantie, estampillé du sceau du distributeur ou du magasin où le produit a été acheté, au centre de réparations agréé. Si le bon de garantie n'a pas été estampillé, veuillez fournir la preuve d'achat d'origine au centre de réparations agréé.

Pour un entretien des pièces, des accessoires ou des composants, composer sans frais le 1-800-030-7777 afin d'obtenir les coordonnées du centre de réparations agréé le plus près.

Procédure pour assurer la validité de la garantie

Présenter le produit au centre de réparations agréé, accompagné du bon de garantie estampillé du sceau du distributeur ou du magasin où le produit a été acheté. Toute pièce défectueuse ou tout composant défectueux sera remplacé(e) sans frais. Milwaukee assume tous les frais de transport liés à ce processus de garantie.

Exceptions

Cette garantie ne s'applique pas dans les situations suivantes :

- a) Si le produit a été utilisé pour une fin autre que celle indiquée dans le guide de l'utilisateur final ou le manuel d'instructions.
- b) Si les conditions d'utilisations ne sont pas habituelles.
- c) Si le produit a été modifié ou réparé par une personne non autorisée par TECHTRONIC INDUSTRIES.

Remarque : Si le cordon électrique est endommagé, il doit être remplacé par un centre de réparations agréé pour éviter les risques d'électrocution.

CENTRE DE RÉPARATIONS ET DE SERVICE

Composer le 01 (800) 030-7777

IMPORTÉ ET COMMERCIALISÉ PAR
TECHTRONIC INDUSTRIES, MEXIQUE, SA DE CV
Av President Masarik #29 piso 7, Col. Polanco V Sección
CP 11560, Deleg. Miguel Hidalgo, CDMX

Modèle : _____

Date d'achat : _____

Sceau du distributeur ou du magasin : _____

REGLAS DE SEGURIDAD GENERALES

⚠️ **ADVERTENCIA** PARA DISMINUIR EL RIESGO DE INCENDIO O LESION AL USAR UNA ASPIRADORA ELÉCTRICA, SIEMPRE DEBE SEGUIR LAS PRECAUCIONES BÁSICAS, INCLUIDAS LAS SIGUIENTES: LEA TODAS LAS INSTRUCCIONES ANTES DE USAR LA ASPIRADORA. PARA USO DOMÉSTICO O COMERCIAL. ANTES DE UTILIZAR LA ASPIRADORA, LEA ESTE MANUAL DEL OPERADOR, LOS MANUALES DE LA BATERÍA Y EL CARGADOR Y TODAS LAS ETIQUETAS DE LA ASPIRADORA, LA BATERÍA Y EL CARGADOR.

SEGURIDAD EN EL ÁREA DE TRABAJO

- Mantenga el área de trabajo limpia y bien iluminada. Las áreas desordenadas u oscuras son propicias para los accidentes.
- No se utilice en presencia de polvo, líquidos o vapores explosivos.
- No se utilice donde se use oxígeno o anestésicos.
- No permita que se use como un juguete. Es necesario prestar mucha atención cuando lo usen niños o cuando se use cerca de ellos.
- Sea particularmente cuidadoso al usarlo en escaleras.

SEGURIDAD ELÉCTRICA

- No recoja material húmedo. No use agua para que no se levante el polvo.
- No maneje la batería ni la aspiradora con las manos húmedas.
- Almacénela en interiores. No se exponga a la lluvia.

SEGURIDAD PERSONAL

- MANTÉNGASE ALERTA. Preste atención a lo que está haciendo y use el sentido común. No use la aspiradora mientras está cansado, distraído o bajo la influencia de drogas, alcohol o medicamentos que ocasionen disminución del control.

- La operación de una aspiradora puede ocasionar que objetos extraños sean lanzados hacia los ojos, lo que puede causar daño ocular. Siempre use lentes o gafas de seguridad con protectores laterales al usar la aspiradora.
- Utilice una mascarilla facial o use una solución de extracción de polvo que cumpla con las normas de OSHA cuando trabaje en condiciones de mucho polvo. Las partículas de polvo pueden dañar sus pulmones.
- Evite el arranque accidental. Asegúrese de que el interruptor esté en posición de apagado antes de insertar la batería. Insertar la batería en una aspiradora con el interruptor en posición de encendido es invitar a que ocurra un accidente.
- No estire el cuerpo demasiado. Mantenga un buen contacto entre los pies y el suelo y mantenga el equilibrio en todo momento. Esto permite un mejor control de la aspiradora en situaciones inesperadas.
- Nunca se pare en la aspiradora ni la use como escalón.
- Mantenga el cabello, ropa holgada, dedos y todas las partes del cuerpo lejos de las aberturas y partes móviles.
- Utilice únicamente como se describe en este manual. Utilice únicamente los accesorios recomendados por el fabricante.

USO Y CUIDADO

- Sólo utilice el producto de la forma descrita en este manual. Use solamente accesorios recomendados por el fabricante.
- No se utilice para levantar líquidos inflamables o combustibles como gasolina, ni se utilice en áreas donde puedan estar presentes.
- No levante nada que se esté quemando o emitiendo humo, como cigarrillos, cerillos o cenizas calientes.
- No levante hollín, cemento, yeso o polvo de tablarroca si el filtro no está colocado. Estas son partículas muy finas que pueden afectar el desempeño del motor o regresarse al ambiente.
- Para reducir el riesgo, no la utilice para aspirar materiales peligrosos, tóxicos o carcinógenos, como asbesto o pesticidas.
- Tenga especial cuidado al descargar tanques muy cargados.
- Para evitar la combustión espontánea, vacíe el recolector de polvo después de cada uso.
- No deje la aspiradora sin supervisión cuando tenga instalada la batería. Retire la batería cuando no lo use y antes de realizarle un servicio.
- No coloque ningún objeto en las aberturas. No use con ninguna de las aberturas bloqueadas; manténgalas libres de polvo, pelusa, cabello o cualquier otro objeto que pudiera reducir el flujo de aire.
- Es posible que haya choques por estática en áreas secas o cuando la humedad relativa del aire es baja. Esta es una situación temporal y no afecta el uso de la aspiradora. Para disminuir la frecuencia de choques por estática, agregue humedad al aire con un humidificador de consola o instalado.
- Algunas maderas contienen conservadores y pueden ser tóxicos. Tenga mucho cuidado para evitar la inhalación y el contacto con la piel cuando trabaje con estos materiales. Solicite y siga cualquier información de seguridad disponible con su proveedor de material.

- Dé mantenimiento a la aspiradora. Verifique que no haya desalineación, amarre de partes móviles, partes rotas o alguna otra condición que pueda afectar el funcionamiento de la aspiradora. Si se daña, asegúrese de que la aspiradora sea reparada antes de utilizarse. Muchos accidentes son ocasionados por herramientas con mantenimiento deficiente.
- Válgase siempre de su sentido común y sea cuidadoso cuando utilice herramientas. No es posible anticipar todas las situaciones que podrían tener un desenlace peligroso. No utilice esta herramienta si no entiende estas instrucciones de uso o si considera que el trabajo a realizar supera sus capacidades, comuníquese con Milwaukee Tool o con un profesional capacitado para recibir capacitación o información adicional.
- Conserve las etiquetas y las placas nominales. Contienen información importante. Si son ilegibles o no están presentes, comuníquese con un centro de servicio MILWAUKEE para obtener un reemplazo gratuito.
- Este producto es adecuado para la recolección de polvo de sílice cuando se utiliza de acuerdo con estas instrucciones. Para reducir el riesgo de peligros en la salud por inhalación de otros vapores o polvo, no aspire materiales tóxicos, cancerígenos ni otras sustancias peligrosas, como por ejemplo asbestos, arsénico, bario, berilio, plomo, pesticidas u otras sustancias que pongan en riesgo su salud.

- ⚠ ADVERTENCIA** Algunos polvos generados por el lijado eléctrico, aserrado, pulido, taladrado y otras actividades de construcción contienen químicos identificados como causantes de cáncer, defectos congénitos u otros daños reproductivos. Algunos ejemplos de estos químicos son:
- plomo de pintura basada en plomo
 - dióxido de silicio de los ladrillos y el cemento y otros productos de albañilería y
 - arsénico y cromo de madera con tratamiento químico.
- Su riesgo por estas exposiciones varía, dependiendo de la frecuencia con que realice este tipo de trabajo. Para reducir su exposición a estos químicos: trabaje en un área bien ventilada y trabaje con equipo de seguridad aprobado, como mascarillas protectoras contra polvo especialmente diseñadas para filtrar partículas microscópicas.
- La unidad cumple como una solución de datos objetivos de la norma OSHA 29CRF 1926.1153 cuando se usa sin el recolector de polvo, suponiendo que se usa de conformidad con las instrucciones de MILWAUKEE. Para más detalles sobre los métodos de cumplimiento, haga referencia a <https://www.osha.gov>. Visite <https://www.milwaukeetool.com> para obtener una ficha técnica objetiva.

USO Y CUIDADO DE LAS HERRAMIENTAS CON BATERÍA

- Utilice la aspiradora únicamente con baterías específicamente diseñadas. El uso de cualquier otra batería puede producir un riesgo de lesiones e incendio.
- Apague todos los controles antes de retirar la batería.
- Para reducir el riesgo de descarga eléctrica, no lo utilice en superficies húmedas. No se exponga a la lluvia. Almacene en interiores.

- Antes de usar la batería o el cargador, lea los manuales del operador y todas las etiquetas de la batería, el cargador y la aspiradora.
- Recargue únicamente con el cargador especificado por el fabricante. Un cargador que es adecuado para un tipo de batería puede crear un riesgo de incendio si se utiliza con otra batería.
- Cuando la batería no está en uso, manténgala alejada de otros objetos metálicos como sujetapapeles, monedas, llaves, clavos, tornillos u otros objetos metálicos pequeños que puedan formar una conexión de una terminal a otra. Crear un corto entre las terminales puede ocasionar quemaduras o un incendio.
- No utilice una batería o aspiradora dañada. Si la batería o la aspiradora no está funcionando como debería, se ha dejado caer, está dañada, se dejó a la intemperie o cayó en agua, regrésela a un centro de servicio.

MANTENIMIENTO

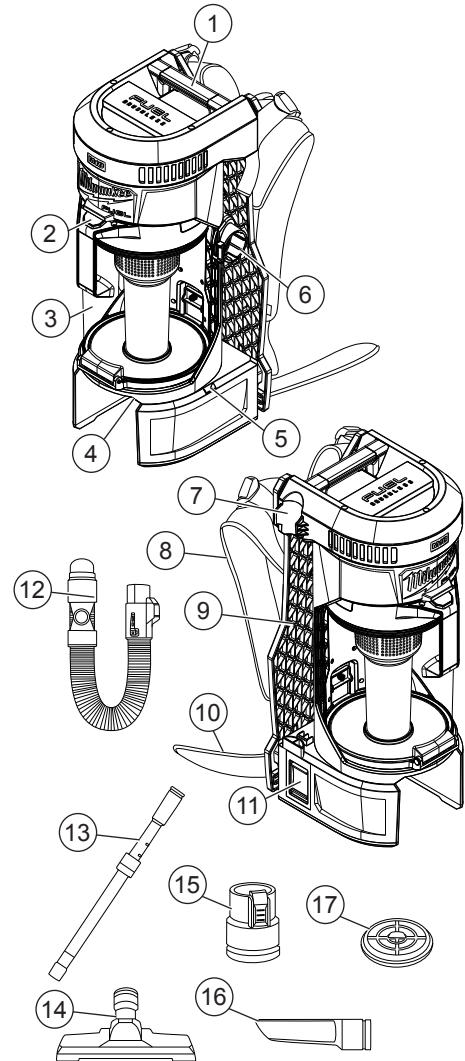
- Lleve su herramienta eléctrica a servicio con un técnico calificado que use únicamente piezas de reemplazo idénticas. Esto asegurará que la seguridad de la herramienta eléctrica se mantenga.
- Nunca dé servicio a baterías dañadas. Únicamente el fabricante o proveedores de servicio autorizados deben dar servicio a las baterías.

REGLAS ESPECÍFICAS DE SEGURIDAD

- Antes de utilizar la aspiradora, lea este manual del operador, los manuales de la batería y el cargador y todas las etiquetas de la aspiradora, la batería y el cargador.
- Nunca use la aspiradora si el tanque y/o los filtros no están instalados correctamente. La aspiradora aventará polvo y basura al aire.
- Nunca limpie el filtro con agua. Limpie con pequeños golpecitos o limpie el polvo con aire comprimido. El agua provocará que falle el filtro.
- Utilice protectores auditivos. La exposición al ruido puede causar pérdida auditiva.






LEA Y CONSERVE TODAS LAS INSTRUCCIONES PARA CONSULTARLAS EN EL FUTURO

DESCRIPCION FUNCIONAL



1. Asa para traslado
2. Botón del asa del tanque
3. Tanque
4. Base de la batería
5. Broche de la manguera
6. Válvula de entrada de la aspiradora
7. Soporte del tubo de extensión
8. Correas superiores de la mochila
9. Placa de la mochila
10. Correas inferiores de la mochila
11. Interruptor
12. Manguera flexible
13. Tubo de extensión telescópico
14. Herramienta para el piso
15. Adaptador de extracción de polvo
16. Herramienta para resquicios
17. Filtro HEPA

SIMBOLOGÍA

-  Volts
-  Corriente continua
-  Lea el manual del operador
-  Siempre use protección para los ojos.
-  UL Listing Mark para Canadá y Estados Unidos

ESPECIFICACIONES

Cat. No.	0885-20
Volts	18 CD
Tipo de batería	M18™
Tipo de cargador	M18™
Volumen de aire	55 pi³/min (55 CFM)
Succión sellada	193,0 cm (76")
Potencia de aire	159 vatios
Capacidades	3,8 L (1 Gal.)
Temperatura ambiente recomendada para operar	-18°C to 50°C (0°F to 125°F)
Tubo de extensión telescópico	14-37-0005
Manguera flexible	31-01-0305
Herramienta para resquicios	31-01-0310
Herramienta para el piso	31-01-0315
Adaptador de extracción de polvo	31-01-0320
Filtro HEPA	49-90-1963
Manguera complementaria de 2,7 m (9')	49-90-1964

ENSAMBLAJE

ADVERTENCIA Para reducir el riesgo de lesión, siempre retire las baterías antes de retirar el tanque.

PRECAUCIÓN Mantenga el filtro limpio. La eficacia de la aspiradora depende mucho del filtro. Un filtro sucio reducirá el flujo de aire y la eficacia general del sistema. No limpie con agua. Retire del tanque y dé golpecitos o use aire comprimido para limpiarlo.

Retirar/insertar la batería

Para extraer la batería, presione los botones de liberación y jale la batería para sacarla de la herramienta.

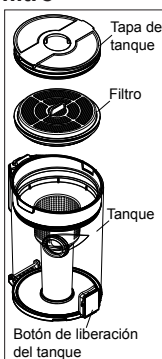
ADVERTENCIA Siempre retire la batería antes de cambiar o retirar los accesorios.

Para insertar la batería, deslícela dentro del cuerpo de la herramienta. Asegúrese de que se fije firmemente en su lugar.

Retirar/instalar el filtro

Para retirar el filtro:

1. Extraiga la batería.
2. Oprima el botón del asa del tanque y retire el tanque de la aspiradora.
3. Jale la tapa del tanque para exponer el filtro. Retire el filtro del tanque.
4. Levante el botón de liberación del tanque y vacíe todo el polvo y basura del tanque.
5. Para limpiar el filtro, dé pequeños golpecitos o limpie el polvo con aire comprimido. Reemplace el filtro si está dañado o disminuye la succión (paquete único, Cat. No. 49-90-1963).



NOTA: Nunca limpie el filtro con agua.

Para instalar el filtro:

1. Coloque el filtro en la parte superior del tanque.
2. Alinee las guías de la tapa del tanque y fijela al tanque. Vuelva a colocar el tanque en la aspiradora.

ADVERTENCIA Utilice únicamente accesorios específicamente recomendados para esta herramienta. Puede ser peligroso utilizar otros.

Instalación/remoción de los accesorios

Para instalar la manguera, empuje el accesorio en la entrada de la aspiradora. Para instalar las boquillas y extensiones, empuje el accesorio en el extremo de la manguera.

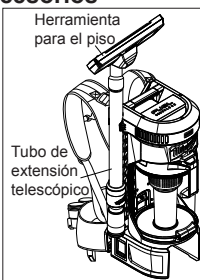
Para retirar, oprima el broche del accesorio y jale.

Guardar los accesorios

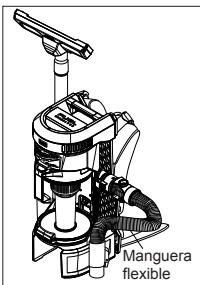
Cada accesorio puede guardarse en la aspiradora.

• **Tubo de extensión telescópico:** Abroche el accesorio en el soporte del tubo de extensión.

• **Herramienta para el piso:** Inserte el accesorio en la parte superior del tubo de extensión telescópico.

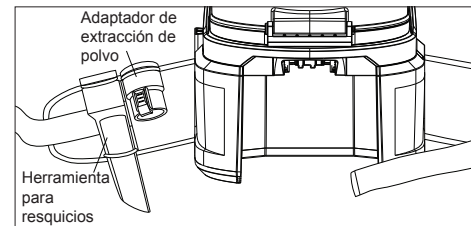


• **Manguera flexible:** Inserte el accesorio en la entrada de la aspiradora. Abroche en el broche de la manguera para fijarla.



• **Herramienta para resquicios:** Enganche el accesorio en los travesaños de la herramienta para resquicios ubicado en la correa inferior de la mochila. Empuje la punta del accesorio por el travesaño inferior y amarre con la correa a la parte superior al travesaño superior.

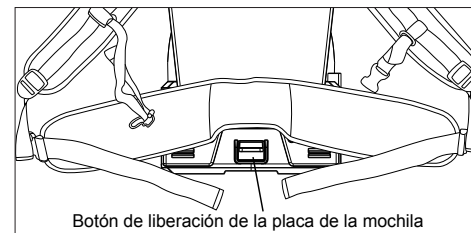
• **Adaptador de extracción de polvo:** Enganche el accesorio en el travesaño del adaptador de extracción de polvo ubicado en la correa inferior de la mochila.



Retirar o instalar la placa de la mochila

La placa de la mochila puede retirarse cuando se monta la aspiradora en una superficie o se carga a mano.

Para retirar la placa, oprima y sostenga el botón de liberación de la placa de la mochila. Jale el extremo inferior de la placa alejado de la aspiradora para retirar las pestañas inferiores. Jale la placa hacia abajo y alejada de la aspiradora para retirar las pestañas superiores.

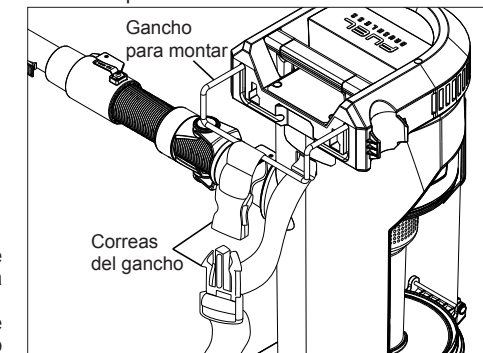


Para instalar la placa, alinee e inserte las pestañas superiores de la placa en la aspiradora. Levante la placa para alinear e insertar las pestañas inferiores de la placa dentro de la aspiradora. Empuje las pestañas hacia adentro para bloquear.

Montar la aspiradora

La aspiradora puede colgarse y montarse a una superficie para facilidad de uso.

Para montar la aspiradora, retire la placa de la mochila de conformidad con las instrucciones de cómo "Retirar o instalar la placa de la mochila". Esto expone el gancho para montar. Jale el gancho alejado de la aspiradora, desabroche las correas del gancho y enganche la aspiradora en la superficie. Fije abrochando las correas del gancho y apretando en la superficie.



Para desmontar la aspiradora, desenganche las correas del gancho. Jale el gancho de la superficie y empuje el gancho hacia atrás en la aspiradora. Vuelva a instalar la placa de la mochila de conformidad con las instrucciones de cómo "Retirar o instalar la placa de la mochila".

OPERACION

ADVERTENCIA Para reducir el riesgo de incendio y lesiones, no use la herramienta para aspirar materiales inflamables ni combustibles. Para reducir el riesgo de lesiones, utilice gafas o lentes de seguridad con protectores laterales. Vacíe el tanque antes de usarlo.

Antes de usar, asegúrese de que el filtro esté instalado.

ADVERTENCIA No cargue la aspiradora por el asa del tanque.

Cómo arrancar, detener y controlar la velocidad

Oprima el interruptor ① de Encendido en el 2 para operar la aspiradora en potencia Alta. Oprima el interruptor ① de Encendido en el 1 para operar la aspiradora en potencia Baja. Para apagar la aspiradora, regrese el interruptor ① de encendido a su posición ① inicial.

Usar la aspiradora

Hay muchas maneras de usar la aspiradora que mejor se adaptará a su trabajo.

- **Usar la aspiradora como mochila.** Coloque la aspiradora en su cuerpo. Fije la herramienta amarrándola en la parte superior en inferior con las correas de la mochila.
- **Montar la aspiradora en la superficie.** Retire la placa de la mochila de conformidad con las instrucciones de cómo "Retirar o instalar la placa de la mochila". Después, monte la aspiradora a la superficie de conformidad con las instrucciones de "Montar la aspiradora".
- **Cargar la aspiradora con la mano.** Si lo desea, retire la placa de la mochila de conformidad con las instrucciones de cómo "Retirar o instalar la placa de la mochila".

Operación

1. Retire TODA la mugre y basura que encuentre en el tanque.
2. Inserte la batería y fije los accesorios.
3. Oprima el interruptor **I** de Encendido a la velocidad deseada. Inicie el aspirado.
4. Apague la aspiradora inmediatamente después de terminar un trabajo o cuando el tanque esté lleno y listo para vaciarse.
NOTA: Si se apaga la succión, apague la aspiradora inmediatamente y vacíe el tanque.
5. Quite la batería.
6. Limpie frecuentemente el interior del tanque y los accesorios.

Almacenamiento

Antes de guardar la aspiradora, vacíe y limpie el tanque, el filtro y los accesorios. Retire la batería.

MANTENIMIENTO

ADVERTENCIA Para reducir el riesgo de una lesión, desconecte siempre la herramienta antes de darle cualquier mantenimiento. Nunca desarme la herramienta ni trate de hacer modificaciones en el sistema eléctrico de la misma. Acuda siempre a un Centro de Servicio MILWAUKEE para TODAS las reparaciones.

Mantenimiento de las herramientas

Adopte un programa regular de mantenimiento y mantenga su herramienta en buenas condiciones. Inspeccione la herramienta para problemas como ruidos indebidos, desalineadas o agarrotadas de partes móviles, piezas rotas o cualquier otra condición que pueda afectar el funcionamiento de la herramienta. Envíe su herramienta al Centro de Servicio MILWAUKEE para reparación. Después de 6 meses a un año, dependiendo del uso dado, envíe su herramienta al Centro de Servicio MILWAUKEE más cercano para la inspección. Si la herramienta no arranca u opera a toda su potencia con una batería completamente cargada, limpie, con una goma o borrador, los contactos de la batería y de la herramienta. Si aun así la herramienta no trabaja correctamente, regrésela, con el cargador y la batería, a un centro de servicio MILWAUKEE.

ADVERTENCIA Para reducir el riesgo de lesiones, descargue eléctrica o daño a la herramienta, nunca la sumerja en líquidos ni permita que estos fluyan dentro de la misma.

Limpieza

Limpie el polvo y suciedad de las ventilas. Mantenga los mangos limpios, secos y libres de aceite o grasa. Use solo jabón neutro y un trapo húmedo para limpiar, ya que algunos substancias y solventes limpiadores son dañinos a los plásticos y partes aislantes. Algunos de estos incluyen: gasolina, turpentina, thinner, lacas, thinner para pinturas, solventes para limpieza con cloro, amoníaco y detergentes caseros que tengan amonía. Nunca usa solventes inflamables o combustibles cerca de una herramienta.

Reparaciones

Si su herramienta, batería o cargador están dañados, envíela al centro de servicio más cercano.

ACCESORIOS

ADVERTENCIA Utilice sólo los accesorios específicamente recomendados. Otros accesorios puede ser peligroso.

Para una lista completa de accesorios, visite nuestro sitio en Internet: www.milwaukeetool.com o póngase en contacto con un distribuidor.

SOPORTE DE SERVICIO - MEXICO

CENTRO DE ATENCION A CLIENTES

Techtronic Industries Mexico, S.A. de C.V.

Av. Presidente Masarik 29 Piso 7

11560 Polanco V Seccion

Miguel Hidalgo, Distrito Federal, México

01 (800) 030-7777 o (55) 4160-3540

Lunes a Viernes (9am a 6pm)

O contáctanos en www.milwaukeetool.com.mx

GARANTÍA LIMITADA - E.U.A. Y CANADÁ

Cada herramienta eléctrica* de MILWAUKEE (ver excepciones a continuación) está garantizada para el comprador original únicamente de que no tenga material y mano de obra defectuosos. Sujeto a ciertas excepciones, MILWAUKEE reparará o reemplazará cualquier parte en una herramienta eléctrica que tenga defectos de material o mano de obra según lo determine MILWAUKEE mediante una revisión, por un período de cinco (5) años** después de la fecha de compra a menos que se indique lo contrario. Al devolver la herramienta eléctrica a un Centro de Servicio de la fábrica de MILWAUKEE o a una Estación de Servicio Autorizada de MILWAUKEE, se requiere que el flete esté pagado por adelantado y asegurado. Se debe incluir una copia del comprobante de compra con el producto devuelto. Esta garantía no aplica a daños que MILWAUKEE determine que son ocasionados por reparaciones o intentos de reparaciones realizados por una persona que no sea personal autorizado de MILWAUKEE, uso indebido, alteraciones, maltrato, desgaste normal, falta de mantenimiento o accidentes.

Desgaste normal: Muchas herramientas eléctricas necesitan un reemplazo periódico de partes y servicio para lograr el mejor desempeño. Esta garantía no cubre la reparación cuando el uso normal ha agotado la vida de una parte, incluyendo sin limitar a mandriles, cepillos, cables, zapatas de la sierra, abrazaderas de la hoja, anillos en O, sellos, protectores, hojas de desatornilladores, pistones, herrajes, levantadores y arandelas de cubierta de los protectores.

*Esta garantía no cubre clavadoras y grapadoras neumáticas, pistola de pintura a presión, baterías inalámbricas, generadores de energía portátil de gasolina, herramientas de mano, palanca y cadena de mano de polipasto - eléctricas, indumentaria calefactada M12™, producto reacondicionado y productos de prueba y medición. Existen garantías por separado y distintas disponibles para estos productos.

**El periodo de garantía para los radios para obra, puerto de energía M12™, fuente de poder M18™, ventiladores para obra y carretillas de trabajo industrial Trade Titan™ es de un (1) año a partir de la fecha de compra. El periodo de garantía para los Cables de limpieza de drenaje es de dos (2) años a partir de la fecha de compra. El periodo de garantía de la Pistola de calor compacta M18™ de la Extractor de polvo de 8 galones es de tres (3) años a partir de la fecha de compra. El periodo de garantía de las lámparas de LED en la Lámpara de trabajo LED y el Bulbo mejorado de LED para la Luz de trabajo es por la vida del producto sujeto a las limitaciones anteriores. Si durante el uso normal el LED o Bulbo de LED falla, la parte será reemplazada sin cargo.

No se requiere el registro de la garantía para obtener la garantía correspondiente a un producto de herramienta eléctrica de MILWAUKEE. La fecha de manufactura del producto se utilizará para determinar el periodo de garantía si no se proporciona comprobante de compra al solicitar el servicio en garantía.

LA ACEPTACIÓN DE LOS REMEDIOS EXCLUSIVOS DE REPARACIÓN Y REEMPLAZO AQUÍ DESCRITOS ES UNA CONDICIÓN DEL CONTRATO PARA LA COMPRA DE TODO PRODUCTO DE MILWAUKEE. SI USTED NO ACEPTA ESTA CONDICIÓN, NO DEBE COMPRAR EL PRODUCTO. MILWAUKEE NO SERÁ RESPONSABLE EN NINGÚN CASO DE DAÑOS INCIDENTALES, ESPECIALES, EMERGENTES O PUNITIVOS NI DE NINGÚN COSTO, HONORARIOS LEGALES, GASTOS, PÉRDIDAS O DEMORAS ALEGADAS COMO CONSECUENCIA DE ALGÚN DAÑO, FALLA O DEFECTO EN NINGÚN PRODUCTO, INCLUYENDO, ENTRE OTROS, RECLAMACIONES POR PÉRDIDA DE UTILIDADES. ALGUNOS ESTADOS NO PERMITEN LA EXCLUSIÓN O LIMITACIÓN DE RESPONSABILIDAD POR DAÑOS INCIDENTALES O EMERGENTES, POR LO QUE LA ANTERIOR LIMITACIÓN O EXCLUSIÓN PODRÍA NO APLICARSE EN SU CASO. ESTA GARANTÍA ES EXCLUSIVA Y REEMPLAZA TODAS LAS DEMÁS GARANTÍAS EXPRESAS, ESCRITAS U ORALES. EN LA MEDIDA EN QUE LO PERMITA LA LEY, MILWAUKEE DESCONOCE CUALQUIER GARANTÍA IMPLÍCITA, INCLUYENDO SIN LIMITACIÓN CUALQUIER GARANTÍA IMPLÍCITA DE COMERCIABILIDAD O IDONEIDAD PARA UN FIN O USO ESPECÍFICO: EN LA MEDIDA EN QUE DICHO DESCONOCIMIENTO NO SEA PERMITIDO POR LA LEY, DICHAS GARANTÍAS IMPLÍCITAS SE LIMITAN A LA DURACIÓN DE LA GARANTÍA EXPRESA CORRESPONDIENTE SEGÚN SE DESCRIBIÓ ANTERIORMENTE. ALGUNOS ESTADOS NO PERMITEN LIMITACIONES SOBRE LA DURACIÓN DE UNA GARANTÍA IMPLÍCITA, POR LO QUE LA ANTERIOR LIMITACIÓN PUDIERA NO APLICARSE A USTED. ESTA GARANTÍA LE DA DERECHOS LEGALES ESPECÍFICOS Y USTED PODRÍA ADEMÁS TENER OTROS DERECHOS QUE VARIAN DE UN ESTADO A OTRO.

Esta garantía aplica al producto vendido en los Estados Unidos y Canadá únicamente.

Consulte la "Búsqueda de centro de servicio" en la sección de Partes y servicio del sitio web de MILWAUKEE en www.milwaukeetool.com o llame al 1.800.SAWDUST (1.800.729.3878) para localizar su centro de servicio más cercano para darle servicio con y sin garantía a una herramienta eléctrica de Milwaukee.

PÓLIZA DE GARANTÍA - VALIDA SOLO PARA MEXICO, AMÉRICA CENTRAL Y EL CARIBE

La garantía de TECHTRONIC INDUSTRIES es por 5 años a partir de la fecha original de compra.

Esta tarjeta de garantía cubre cualquier defecto de material y mano de obra en ese Producto.

Para hacer válida esta garantía, presente esta tarjeta de garantía, cerrada/sellada por el distribuidor o la tienda donde compró el producto, al Centro de Servicio Autorizado (ASC). O, si esta tarjeta no se ha cerrado/sellado, presente la prueba original de compra a ASC. Llame gratis al 01 (800) 030-7777 para encontrar el ASC más cercano, para servicio, partes, accesorios o componentes.

Procedimiento para hacer válida esta garantía

Lleve el producto a ASC, junto con la tarjeta de garantía cerrada/sellada por el distribuidor o la tienda donde compró el producto, y cualquier pieza o componente defectuoso se reemplazará sin costo para usted. Cubriremos todos los costos de flete con relación a este proceso de garantía

Excepciones

Esta garantía no tendrá validez en las siguientes situaciones:

- a) Cuando el producto se use de manera distinta a la que indica el manual del usuario final o de instrucciones.
- b) Cuando las condiciones de uso no sean normales.
- c) Cuando otras personas no autorizadas por TECHTRONIC INDUSTRIES modifiquen o reparen el producto.

Nota: si el juego de cables está dañado, tiene que reemplazarse en un Centro de Servicio Autorizado para evitar riesgos eléctricos.

CENTRO DE SERVICIO Y ATENCIÓN

Llame al 01 (800) 030-7777

IMPORTADO Y COMERCIALIZADO POR
TECHTRONIC INDUSTRIES, MÉXICO, SA DE CV
Av. Presidente Masarik #29 piso 7, Col. Polanco V Sección
CP 11560, Deleg. Miguel Hidalgo, CDMX

Modelo: _____

Fecha de Compra: _____

Sello del Distribuidor: _____

MILWAUKEE TOOL
13135 West Lisbon Road
Brookfield, WI 53005 USA

58140126d1
08/18

01607300102Q-01(A)
Printed in China